

For Non-Health Hazard Applications

Job Name _____

Contractor _____

Job Location _____

Approval _____

Engineer _____

Contractor's P.O. No. _____

Approval _____

Representative _____

HydroPanel®II Shower System with Metering Valve

Description

The Powers HydroPanel®II Series 450-4000M Shower System combines the water control of metering valves with the convenience of modular shrouding. HydroPanel®II stainless steel shrouding provides a concealed shower system where in-wall piping does not exist or may not be practical. The single unit shower mounts easily onto preassembled copper tubing with just three screws.

Behind the shroud, a mechanical metering valve delivers pre-tempered water to a showerhead. With the push of a button, the metering valve opens to allow water flow for a pre-set time (up to 60 seconds), then automatically closes. The button can be pushed at any time to restart the timer. Tempered water can be supplied by a master mixing valve like the Powers HydroGuard® 430 Thermostatic Mixing Valve or Hi-Lo Cabinet Supply Fixture.

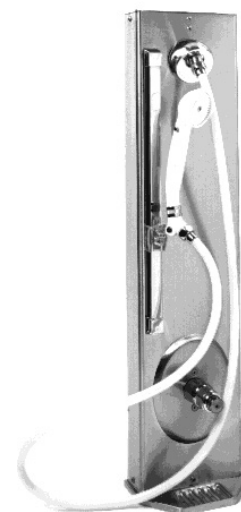
The HydroPanel®II units can be used for new or retrofit applications, such as single showers or for complete shower rooms. They are ideal in schools, health clubs, factories, prisons, and remodeled buildings. Optional hand-held showers mounted on vertical glide rails provide easy shower access for users with limited mobility. Optional HydroPanel®II Modular Shrouding provides easy to install, interlocking stainless steel panels to conceal all exposed piping.

Features

- Shrouding mounts onto the preassembled copper piping with just three screws for easy installation.
- All exposed surfaces are easy to clean brushed stainless steel or chrome plated.
- Chrome plated brass pushbutton is self closing and tamper resistant.
- All operating and wearing parts (including valve seat) are contained in an easy to replace cartridge.
- Valve timer is on-site adjustable up to 60 seconds and can be restarted at any time.
- Fixed (vandal resistant) and swivel showerheads are available.
- Optional hand-held shower with flexible hoses mount on 24" glide rails for use in special applications.
- Optional HydroPanel®II Modular Shrouding offers convenient configuration of horizontal and vertical panels to cover all exposed shower room piping. See ES-P-450SH for details on HydroPanel®II Modular Shrouding.
- Series 450-4000M HydroPanel®II units include a one year limited warranty.



**HydroPanel®II
Model 450-4002M
with Swivel Showerhead
and Soap Dish**



**HydroPanel®II
Model 450-4004M
with Hand shower
Assembly and Soap Dish**

Specifications

HydroPanel®II: Brushed 18 Gauge 304 SS.
Dimensions 31 1/8"H x 7 1/2"W x 6 1/2"D
(791mm H x 191mm W x 165mm D).

Piping: 1/2" (15mm) copper tubing.

Showerhead: Fixed: Chrome plated brass, maximum flow 2.5 gpm @ 80 psi (.16 l/s @ 552 kPa). Adjustable Swivel (shown): Chrome plated brass, 30° angle of rotation, maximum flow 2.5 gpm @ 80 psi (.16 l/s @ 552 kPa).

Valve Body: Metering Valve. Self closing, adjustable to 60 seconds. Bronze body with stainless steel escutcheon. 1/2" (15mm) NPT inlet/outlet connections. Integral stop valve.

Valve Operation: 6 gpm @ 45 psi differential (.38 l/s @ 310 kPa). Maximum pressure 125psi (862 kPa). Maximum inlet temperature 180°F (82°C).

Hand Shower: Full spray with pushbutton water control. Minimum flow 2.0 gpm @ 20 psi (.13 l/s @ 138 kPa). Maximum flow 2.5 gpm @ 80 psi (.16 l/s @ 138 kPa). 60" (1499mm) reinforced vinyl hose with 1/2" (15mm) chrome plated supply connections. 18" (457mm) chrome plated brass glide bar, self-tensioned for easy height adjustment.

Powers product specifications in U.S. customary units and metric are approximate and are provided for reference only. For precise measurements, please contact Powers Technical Service. Powers reserves the right to change or modify product design, construction, specifications, or materials without prior notice and without incurring any obligation to make such changes and modifications on Powers products previously or subsequently sold.

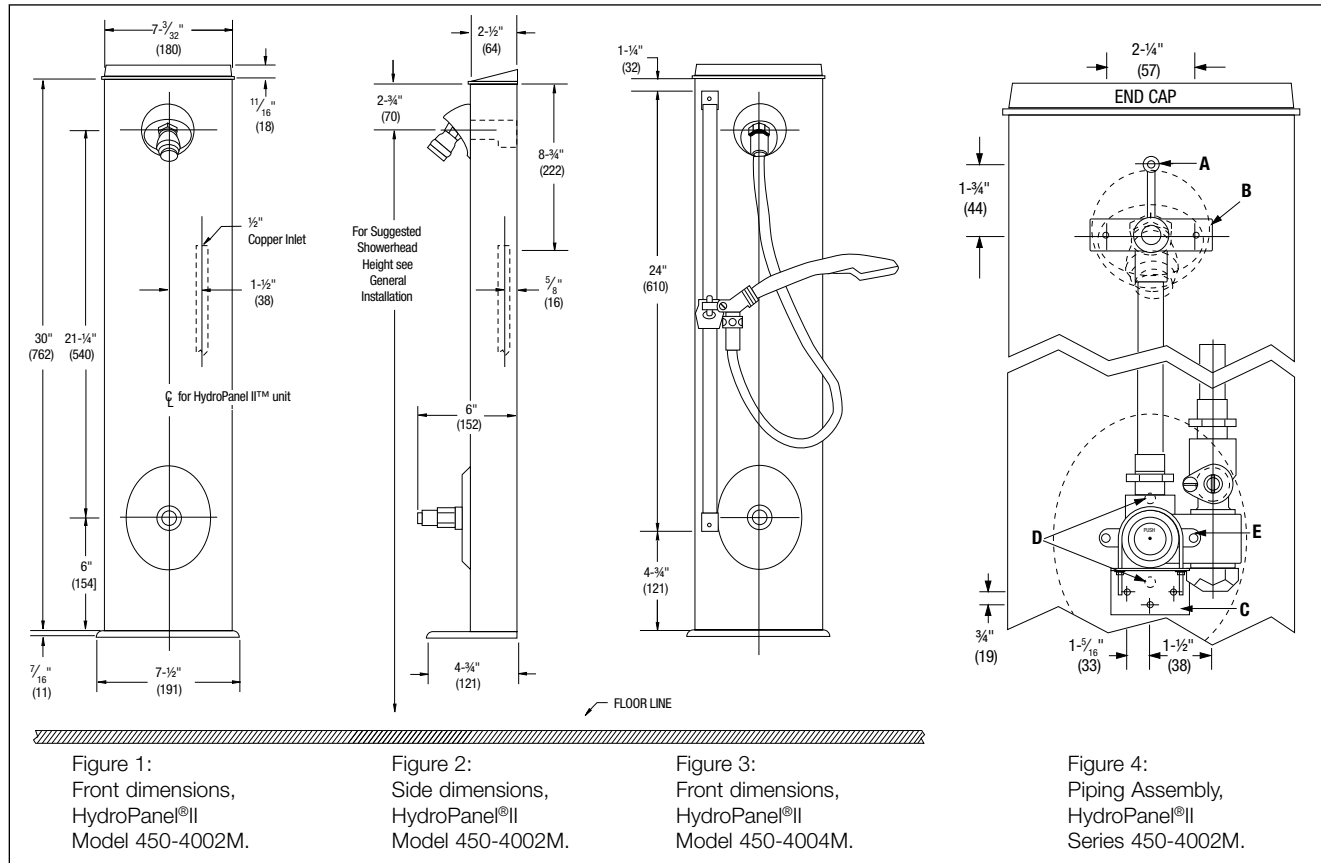
POWERS™
A WATTS Brand

General Installation

The recommended minimum distance between the centerline of two HydroPanel®II units is 36 inches (914mm). Position units evenly between inlet supply piping.

Suggested showerhead heights (if not shown in architectural plans for shower room) are:

Men — 77" (1956mm) Youth — 66" (1676mm)
Women — 70" (1778mm) Youth — 60" (1524mm)



Ordering Information

HydroPanel®II with Biltmore 900 Pressure Balancing Valve Order Code

- HydroPanel®II with Fixed Showerhead and Soap Dish **450-4000**
- HydroPanel®II with Fixed Showerhead, less Soap Dish **450-4001**
- HydroPanel®II with Swivel Showerhead and Soap Dish **450-4002**
- HydroPanel®II with Swivel Showerhead, less Soap Dish **450-4003**
- HydroPanel®II with Professional Hand Shower,
Slide Bar, and Soap Dish **450-4004**
- HydroPanel®II with Professional Hand Shower,
Slide Bar, less Soap Dish **450-4005**
- HydroPanel®II with Deluxe Hand Shower,
Slide Bar, and Soap Dish **450-4006**

Option:

- M** — Metering Valve Only
- MP** — Metering Valve with Pressure Balancing

POWERS™

A WATTS Brand

USA: Tel: (800) 669-5430 • Fax: (847) 229-0526 • PowersControls.com
Canada: Tel: (905) 332-4090 • Fax: (905) 332-7068 • PowersControls.ca
Latin America: Tel: (52) 81-1001-8600 • PowersControls.com